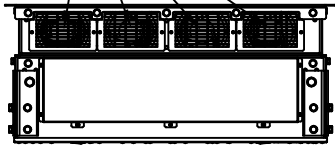


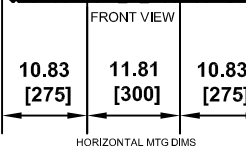
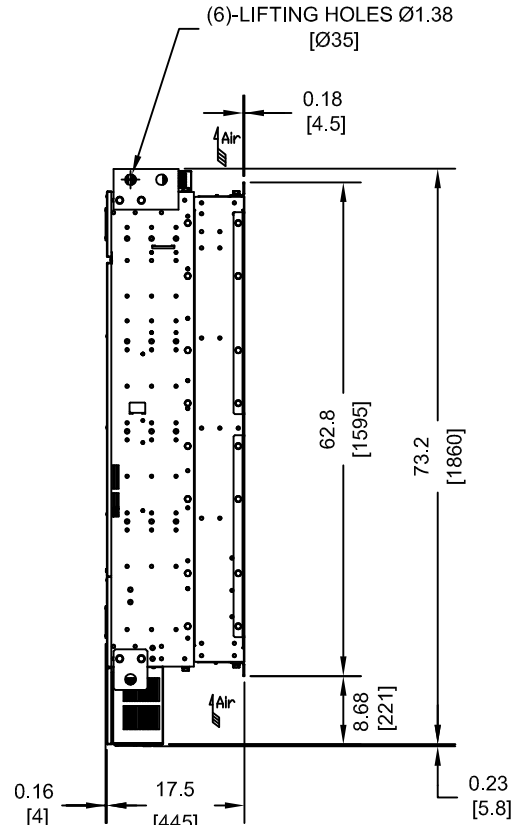
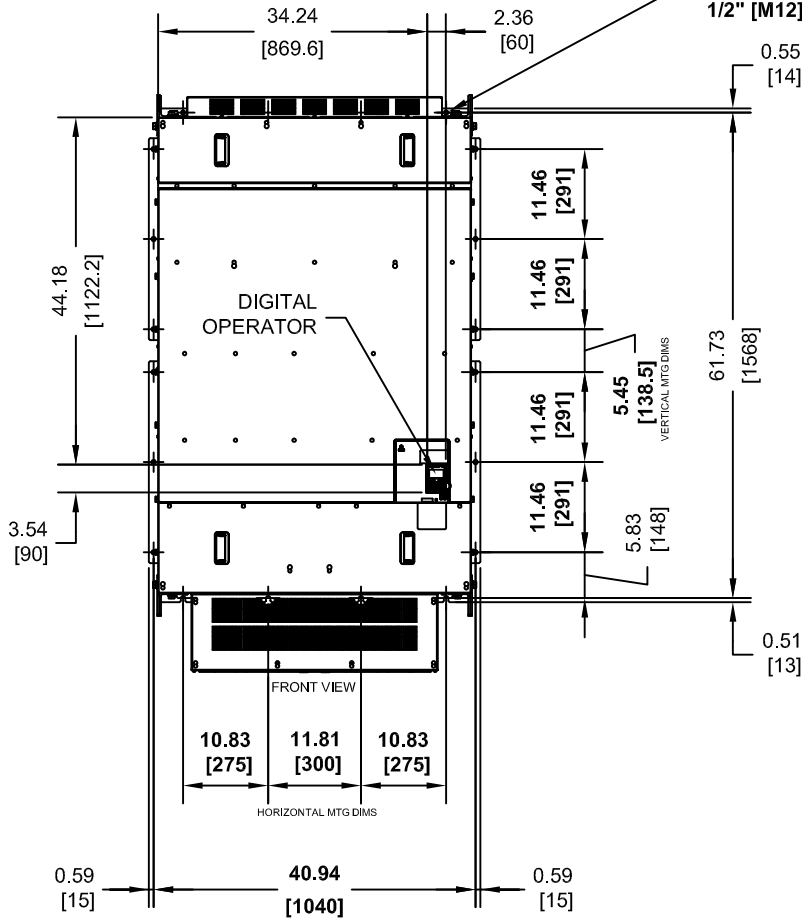
(4) EXTERNAL COOLING FANS



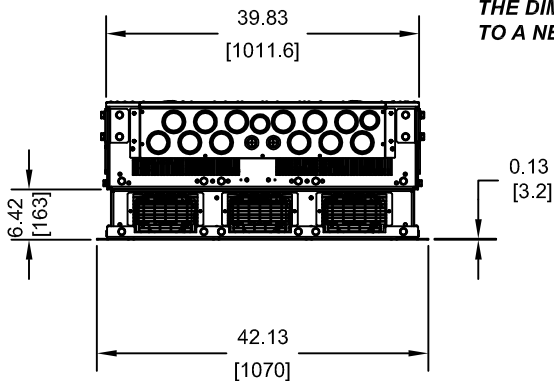
NOTE:
SPREADER BAR REQUIRED TO AVOID DAMAGE DURING LIFTING

(20)-MOUNTING HOLES FOR 1/2" [M12] SCREWS

(6)-LIFTING HOLES Ø1.38 [Ø35]



THE DIMENSIONS SHOWN ARE FOR AN IP00 OPEN TYPE DRIVE THAT HAS BEEN CONVERTED TO A NEMA TYPE 1 DRIVE BY ADDING THE PARTS FROM NEMA 1 KIT PART NUMBER EZZ022745G



MODEL # CIMR-UU	VOLTAGE 3-PHASE (VAC)	OUTPUT CURRENT (A)		WEIGHT LBS (Kg)	HEAT LOSS (W)					
					ND (Fc=3kHz)			HD (Fc=3kHz)		
		ND	HD		INT	EXT	TOT	INT	EXT	TOT
4□0477□□□	380/500	477	414	1257 (570)	1115	7163	8278	983	6037	7020
4□0590□□□		590	477	1257 (570)	1349	9071	10420	1115	7054	8169

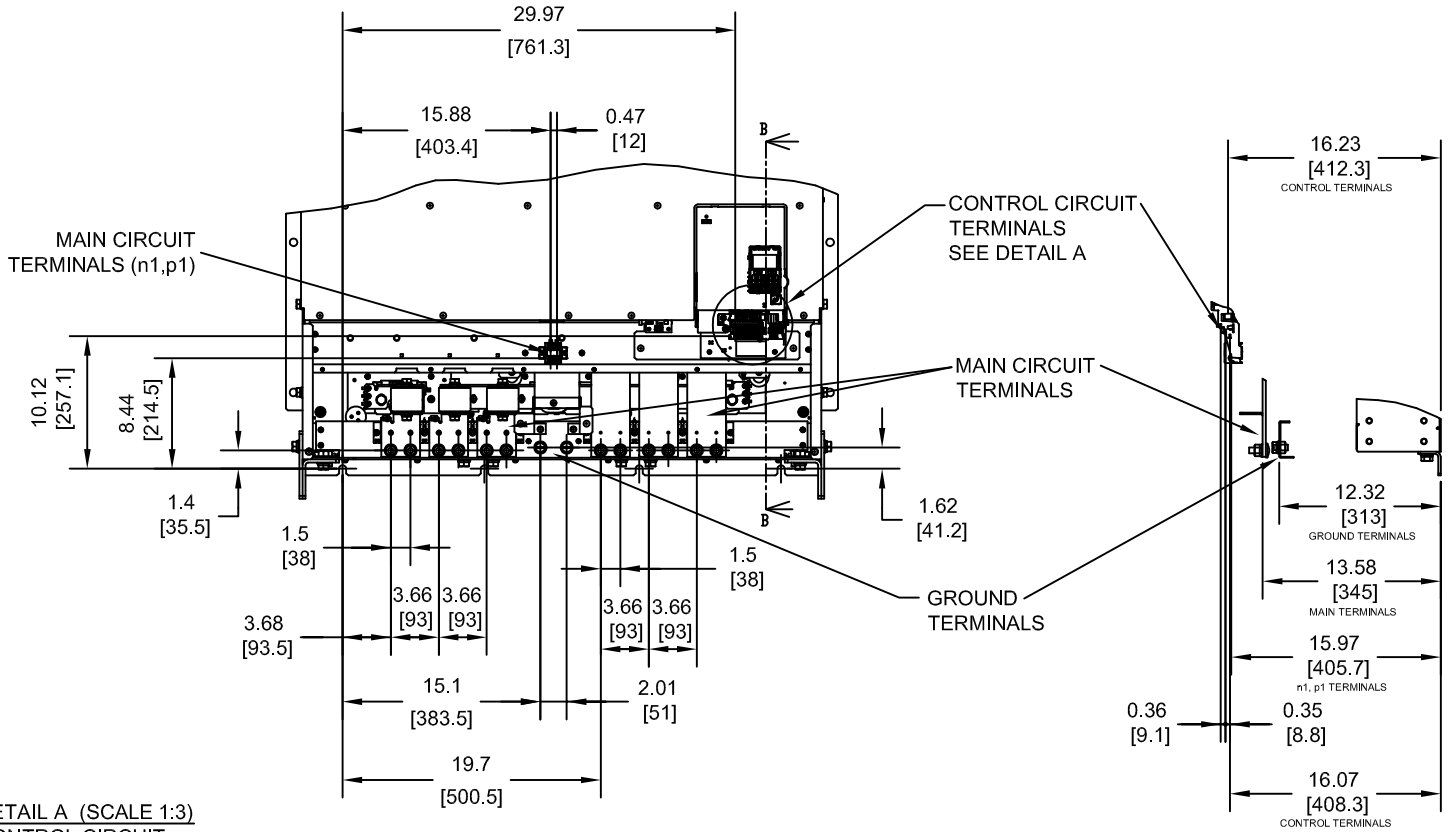
NOTES:
□ DENOTES A-Z
□□ DENOTES AAA-ZZZ

INT=INTERNAL COMPONENTS
EXT=EXTERNAL HEATSINK
TOT=TOTAL

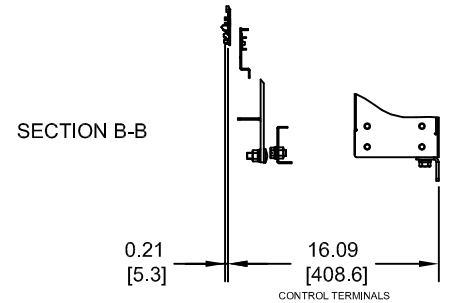
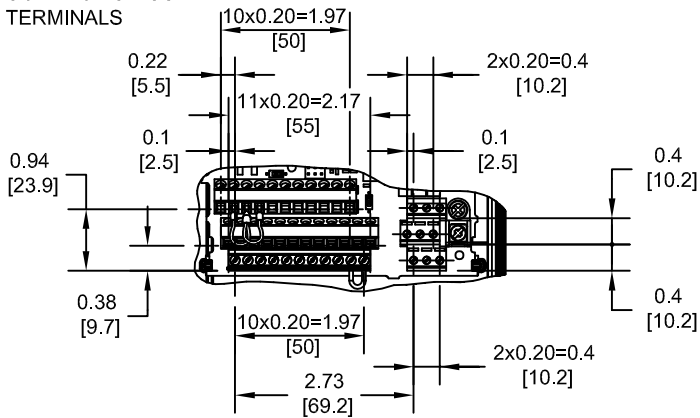
FOR ADDITIONAL DETAILS AND SPECIFICATIONS, CONSULT MANUAL

TOLERANCES / REFERENCES:		YASKAWA	DRAWN: J. MATTAS	DATE 11-28-16	TITLE: U1000 DIMENSION DRAWING
UNITS: IN[mm]	SCALE: 1:25		CHECKED: J. PIOTROWSKI	DATE 12-6-16	FRAME SIZE 6 NEMA TYPE 1 ENCLOSURE
		THIS DOCUMENT AND INFORMATION CONTAINED IN IT ARE CONFIDENTIAL, AND CANNOT BE COPIED OR DISCLOSED IN WHOLE OR IN PART WITHOUT THE EXPRESS WRITTEN CONSENT OF YASKAWA AMERICA, INC.		TECH: J. BORJA	DATE 12-8-16
		APPROVED: J. CAIRO	DATE 12-14-16	SIZE A	REVISION R00
		ORIGINAL DESIGN: -	DATE -	PAGE 1 of 3	
				DRAWING #: DD.U1K.FR6.N1	

TERMINAL AND WIRING DETAILS (SCALE 1:15)



DETAIL A (SCALE 1:3)
CONTROL CIRCUIT TERMINALS



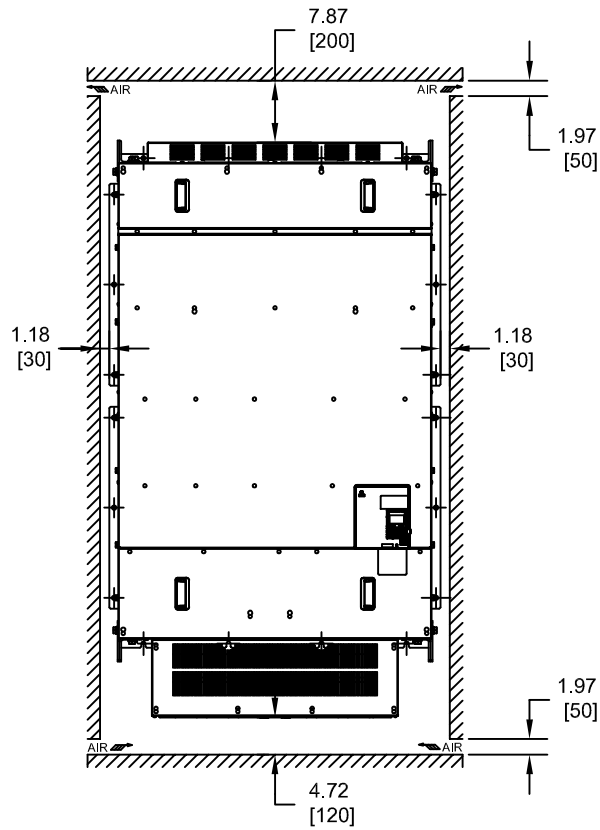
TERMINAL AND WIRE SPECIFICATIONS FOR MAIN CIRCUIT AND GROUND

MODEL # CIMR-UU	TERMINAL SYMBOL	TERMINAL SCREW	CLAMPING TORQUE lb.in.(N.m.)
4□0477	R/L1, S/L2, T/L3	M12	278 TO 347 (31.4 TO 39.2)
	U/T1, V/T2, W/T3		
4□0590	p1, n1	M4	10.4 TO 17.4 (1.2 TO 2.0)
	⊕	M12	278 TO 347 (31.4 TO 39.2)

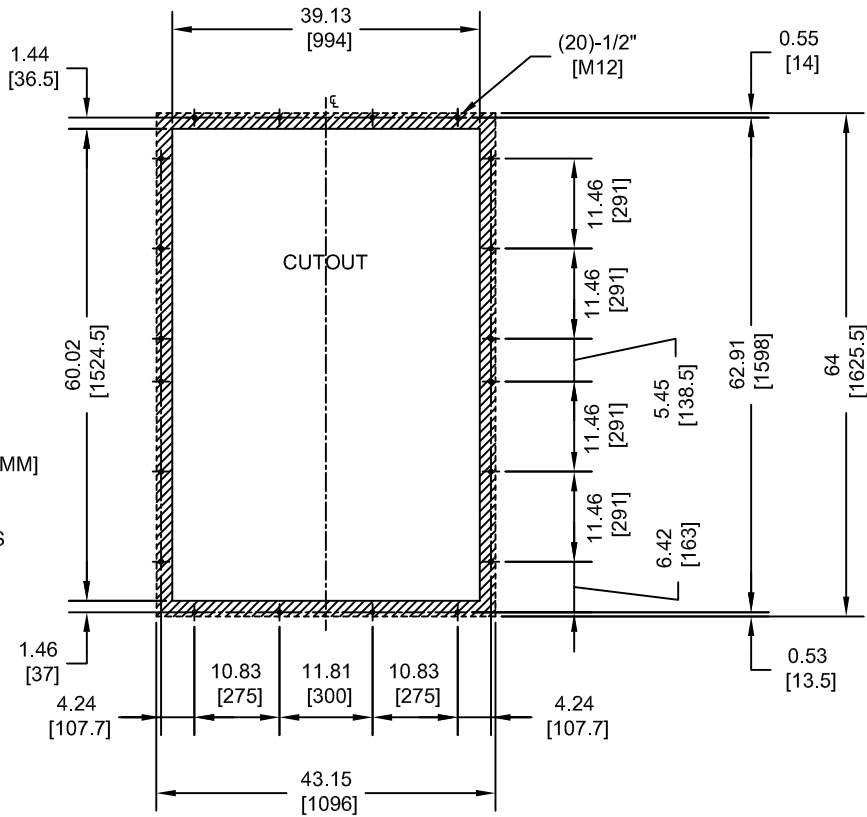
NOTE: REFER TO APPLICABLE CODES FOR PROPER WIRE TYPE AND SIZE

TOLERANCES / REFERENCES:		YASKAWA	DRAWN: J. MATTAS	DATE 11-28-16	TITLE: U1000 DIMENSION DRAWING	
			CHECKED: J. PIOTROWSKI	DATE 12-6-16	FRAME SIZE 6	
			TECH: J. BORJA	DATE 12-8-16	NEMA TYPE 1 ENCLOSURE	
			APPROVED: J. CAIRO	DATE 12-14-16	4□0477 AND 4□0590	
UNITS: IN[mm]	SCALE: BY VIEW	ORIGINAL DESIGN: -	DATE -	SIZE A	REVISION R00	PAGE 2 of 3
			DRAWING #:		DD.U1K.FR6.N1	

MINIMUM INSTALLATION CLEARANCES (SCALE 1:25)



PANEL CUTOUT FOR EXTERNAL HEATSINK MOUNTING CONFIGURATION (SCALE 1:25)



NOTES:

1. CUTOUT TOLERANCE: ± 0.02 " [± 0.5 MM]
2. EXPOSED HEATSINK RECOMMENDED CLEARANCE $D = 7.09$ " MINUS PANEL THICKNESS

FOR ADDITIONAL DETAILS AND SPECIFICATIONS, CONSULT MANUAL

TOLERANCES / REFERENCES:		YASKAWA	DRAWN:	J. MATTAS	DATE:	11-28-16	TITLE:		U1000 DIMENSION DRAWING		
UNITS:	SCALE:		CHECKED:	J. PIOTROWSKI	DATE:	12-6-16	FRAME SIZE 6		NEMA TYPE 1 ENCLOSURE		
BY VIEW		THIS DOCUMENT AND INFORMATION CONTAINED IN IT ARE CONFIDENTIAL, AND CANNOT BE COPIED OR DISCLOSED IN WHOLE OR IN PART WITHOUT THE EXPRESS WRITTEN CONSENT OF YASKAWA AMERICA, INC.		TECH:	J. BORJA	DATE:	12-8-16	4□0477 AND 4□0590			
		APPROVED:	J. CAIRO	DATE:	12-14-16	SIZE:	A	REVISION:	R00	PAGE:	3 of 3
		ORIGINAL DESIGN:	-	DATE:	-	DRAWING #:		DD.U1K.FR6.N1			